

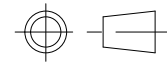
4

3

2

1

THIRD ANGLE PROJECTION

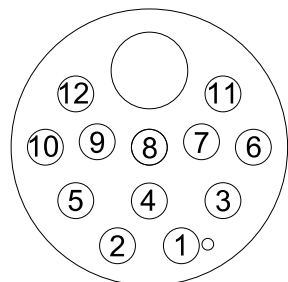
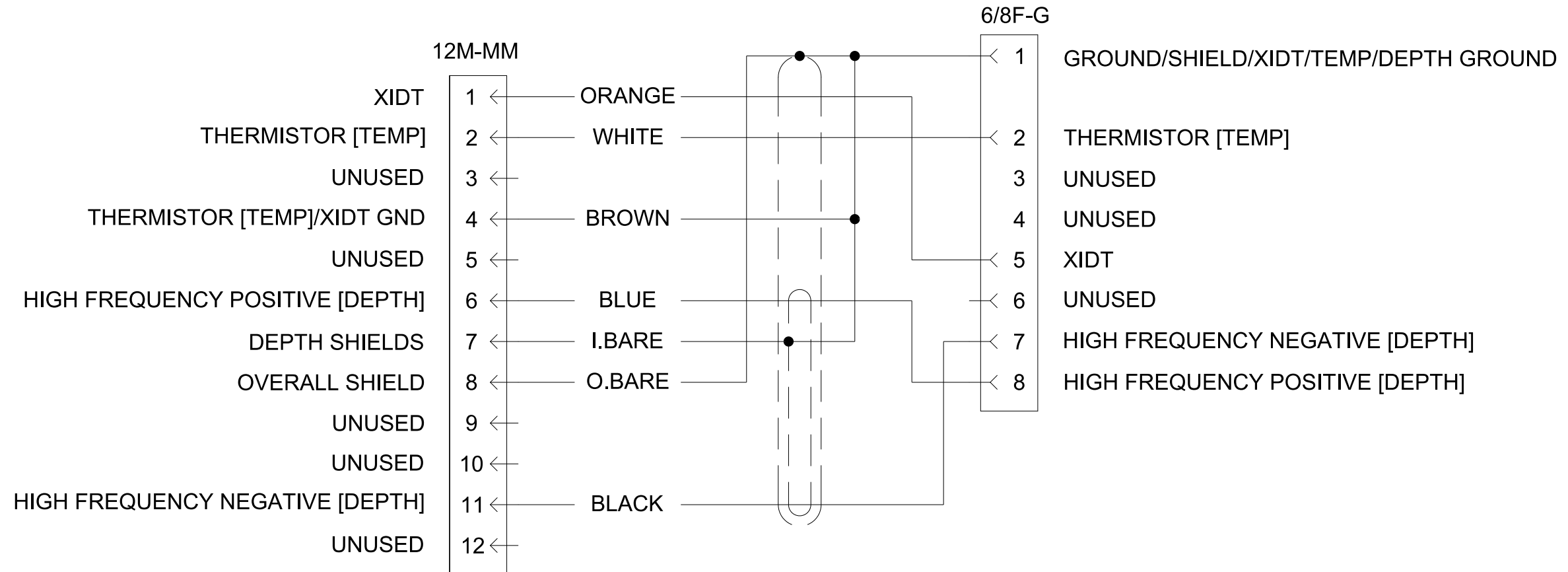


DOCUMENT REVISIONS

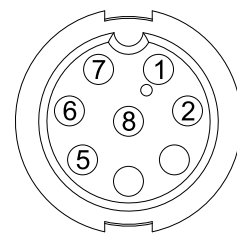
REV	DESCRIPTION	CO NO.	DATE	CHG/CHK
1	INITIAL RELEASE	---	06/28/23	RLE/WJL

NOTES:

1. RED AND GREEN WIRES ARE CUT OFF ON BOTH ENDS.



CONTACT END VIEW
12 PIN MALE



CONTACT END VIEW
6/8 FEMALE GARMIN

UNLESS OTHERWISE SPECIFIED	SIGNATURE	DATE
DIMENSIONS ARE IN INCHES TOLERANCES ON 2 PL DECIMALS: ±0.02 3 PL DECIMALS: ±0.005 ANGLES: ±1/2° FRACTIONS: ±1/16 SURFACE FINISH: √63	DRAWN: R.EVANS	03/14/22
	CHECKED: I.ROBB	06/23/23
	APPROVED: W.LETENDRE	06/23/23

MATERIAL
AS NOTED

PART NUMBER	N/A	P/N REV	N/A
-------------	-----	---------	-----



AIRMAR TECHNOLOGY CORPORATION
35 MEADOWBROOK DR
MILFORD NH 03055-4613 USA
TEL: 603-673-9570 FAX: 603-673-4624

TITLE
**WIRING, CBL ASSEMBLY, C332
12M-MM & 6/8F-G**

SIZE	SCALE: NONE	DOC NUMBER	DOC REV
B	SHEET 1 OF 1	D-20624	1

THIS DOCUMENT AND THE DATA DISCLOSED HEREIN OR HEREWITH IS NOT TO BE REPRODUCED, USED, OR DISCLOSED IN WHOLE OR IN PART TO ANYONE WITHOUT THE PERMISSION OF AIRMAR

CRITICAL DIMENSIONS (REF) DO NOT SCALE DRAWING

4

3

2

1